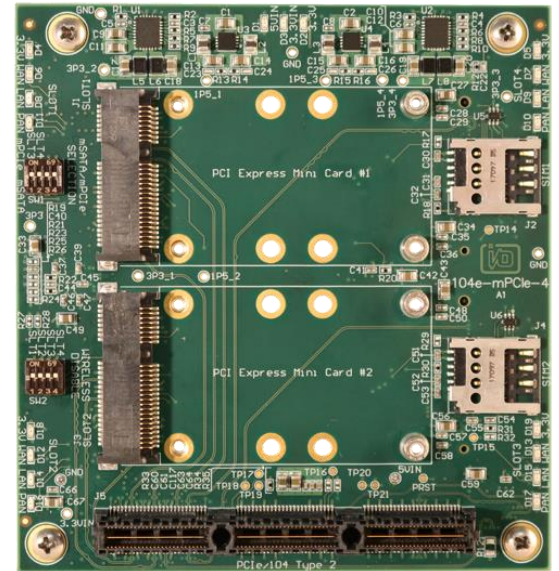


### FEATURES

### MODEL 104E-MPCIe-4A

- CONVERTS **ONE** PCIe x1 LANE FROM STACK INTO **FOUR** (1x4) PCI EXPRESS MINI CARD SOCKETS
- SUPPORTS HALF- OR FULL- SIZE MINI PCIe CARDS, FOR USE IN A TYPE 1 OR TYPE 2 PCIe/104 STACK
- ALL FOUR SOCKETS SUPPORT USB, SMBUS, MICRO-SIM, AS WELL AS PCI EXPRESS SIGNALS
- MSATA DEVICES SUPPORTED ON TWO SOCKETS (TYPE 2)
- POWERED FROM THE PCIe/104 STACK +5V RAIL, NO 12V NEEDED
- 2MM STANDOFFS INTEGRATED INTO DESIGN FOR EASY INSTALLATION, HARDWARE INCLUDED
- ROHS AND INDUSTRIAL TEMP (-40°C TO 85°C) *STANDARD*
- OPTIONS:
  - TOP STACKING (-TOP) (DESIGNED FOR TOP OF STACK)
  - TOP AND BOTTOM STACKING (-TB)
  - ONE BANK CONNECTOR (-1B)
  - TWO MINI PCIe SOCKET VERSION AVAILABLE (104E-MPCIe-2A)



### FUNCTIONAL DESCRIPTION

The 104e-mPCIe-4A is a Type 1 or Type 2 PCIe/104 carrier board designed to support up to four PCI Express mini cards, in either half or full lengths, while **only** consuming **one** x1 PCIe lane from the bus. In addition the board supports up to two mSATA devices (via dip-switch selection -Type 2 only), and all four sockets support USB, SMBus, and wireless mPCIe devices — including micro-SIM sockets, per socket, for cellular (WAN) use.

The advanced carrier board is a great way to use ACCES' full industrial line of mPCIe products. These include isolated DAQ, serial, analog, digital I/O (TTL, LVTTTL, relay, FET) and quadrature cards.

Having four peripheral device sockets on one PCIe/104 stack-height card truly multiplies the flexibility of your embedded designs without compromising size or ruggedness.

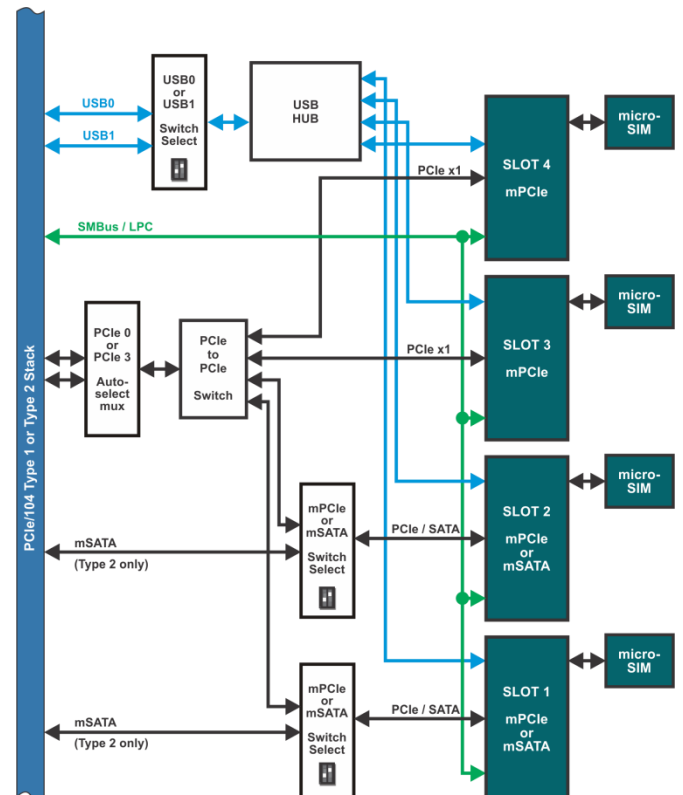
### SPECIAL ORDER

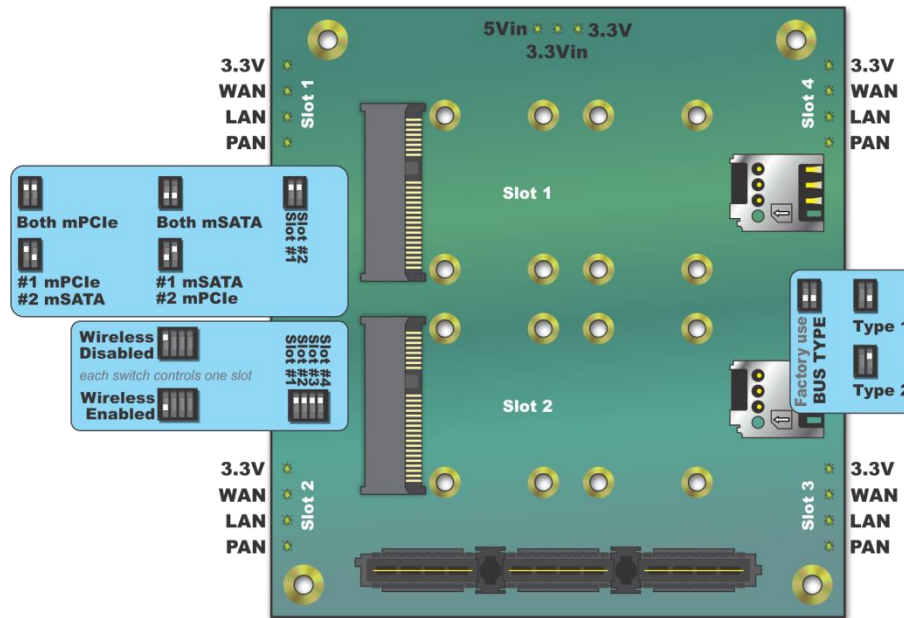
Please contact ACCES with your precise requirement. Examples of special orders would be conformal coating, custom configurations, branded / OEM product labelling, and more. We will work with you to provide *exactly* what is required i.e. "MCOTS".

### ACCESSORIES

Available accessories include:

All ACCES' mPCIe products	Visit <a href="http://accesio.com/mPCIe">http://accesio.com/mPCIe</a>
mPCIe-HDW-KIT2	Two 2mm nylon screws
mPCIe-HDW-PEM2	Two 2mm standoffs for mounting half-length mPCIe cards and two 2mm nylon screws. One mPCIe-HDW-PEM2 kit needed per slot being converted to half-length.





### Specification

PC Interface	PCIe/104 Type 1 or Type 2
I/O Interface	PCI Express Mini Card Socket (x4) (PCIe, USB, SMBus, Micro-SIM socket) mSATA (x2) –Type 2 only

### Environmental

Operating Temp	-40 to +85°C
Storage Temp	-40 to +85°C
Humidity	5 to 95% non-condensing
Power Required	+5V @ 400mA typical (no load) (supplied by PCIe/104 stack)

### Physical

Weight	52.0 grams
Size	PCIe/104 Compliant (3.55" x 3.775")

### ORDERING GUIDE

104e-mPCIe-4A	Advanced 4-PCI Express Mini Card Carrier Board on 104 Express for use on the bottom of the stack
104e-mPCIe-2A	Advanced 2- socket version of the 104e-mPCIe-4A
Option -TOP	4- or 2- socket board for use on the top of the stack
Option -TB	4- or 2- socket board for use on either the top of the stack, or the bottom of the stack
Option -1B	PCIe/104 One Bank Connector
<i>SHIPS STANDARD WITH INDUSTRIAL OPERATING TEMPERATURE AND ROHS</i>	